

LED DESIGNER SCONCE POWERED BY THE LEDSR G2



120-277V

VOLTAGE



0-10V DIM

DIMMING



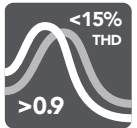
130-150 LPW

EFFICACY (LIGHT ENGINE)



-20°C TO 60°C

OPERATING TEMP



<15% THD

PWR FACTOR/THD



EMG

OPTIONAL EMG BATTERY BACKUP



80+

CRI



L70 >50,000

RATED LIFE



10 YEAR WARRANTY

WARRANTY

future-proof elegant & flexible



powered by the LEDSR G2 light engine

- High transmission, acrylic plastic lens.
- Flexible: FlexWatt allows you to select between 4 wattages & FlexColor between 3 colors...all in the same fixture!
- Future-proof: Powered by easily replaceable & upgradeable LEDSR G2 light engine.
- Optional emergency battery back-up and control options.

flexWATT STANDARD



flexCOLOR STANDARD



flexCONTROL OPTIONAL

ORDER CONTROL READY, BASIC CONTROL OR LG ADVANCED CONTROL

MODEL #	UPC	W	LUMENS	CCT (K)
RP-SCD-11N-8L-40K-WC-G2	844006022525	6W	816	4000K



RemPhos by Light Efficient Design
lighting on target

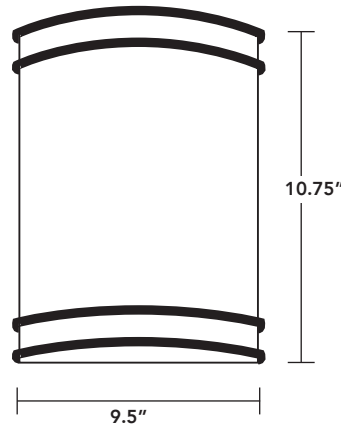
FOR PRODUCT INFO ("LED" MODEL #) CONTACT.....Light Efficient Design • 188 S. Northwest Highway • Cary, IL 60013 • 847.380.3540 • led-llc.com
FOR PRODUCT INFO ("RP" MODEL #) CONTACT.....RemPhos by Light Efficient Design • 30 Log Bridge Road, Building 200 • Middleton, MA 01949 • 877.997.3674 • remphos.com

11.28.18 Information is subject to change without notice.

LED DESIGNER SCONCE POWERED BY THE LEDSR G2



LED DESIGNER SCONCE



PART NUMBER BUILDER

MFR	PRODUCT	SIZE	LUMENS	COLOR	FUNCTION	GEN	OPTIONS	BAA
RP	SCD	11			WC	G2		
		N = INCHES	8L 14L 17L 21L	30K = 3000K, 85CRI 35K = 3500K, 85CRI 40K = 4000K, 85CRI	WC= FlexWatt + FlexColor		OC1=high/low motion sensor EMG=90min emergency battery backup LVD=works on either 120V or 277V	BLANK=NON-BAA BAA=BAA Section 1605 Compliant

ORDERING EXAMPLE

RP-SCD-11N-8L-30K-WC-G2

Default lumen package (wattage and CCT) are shown below in bold. There are two ways to achieve a non-default lumen package and/or CCT:

1. You can easily adjust in field via our FlexWatt* and FlexColor internal switches. 2. Have us adjust the FlexWatt* and FlexColor at the factory for an additional charge.

* LVD option removes FlexWatt, must specify lumen output when ordering LVD.

CASE QTY	QUICK SHIP	ENERGY STAR	DEFAULT PART #	UPC	DESCRIPTION	WATTAGE	LUMENS	LPW	CCT (K)
1	●	●	RP-SCD-11N-8L-40K-WC-G2	844006022525	11IN DESIGNER SCONCE	6/10/12/15	780-2130	130-142	3000/3500/ 4000
1	●		RP-SCD-11N-8L-40K-WC-G2 -OC1	844006023614	11IN DESIGNER SCONCE	6/10/12/15	780-2130	130-142	3000/3500/ 4000

EFFICIENCY/ELECTRICAL DATA

LUMEN SELECTION	CCT SELECTION		
	830	835	840
8L	780LM, 6W	780LM, 6W	816LM, 6W
14L	1370LM, 10W	1440LM, 10W	1370LM, 10W
17L	1692LM, 12W	1680LM, 12W	1764LM, 12W
21L	2025LM, 15W	2100LM, 15W	2130LM, 15W



FOR PRODUCT INFO ("LED" MODEL #) CONTACT.....Light Efficient Design • 188 S. Northwest Highway • Cary, IL 60013 • 847.380.3540 • led-llc.com
 FOR PRODUCT INFO ("RP" MODEL #) CONTACT.....RemPhos by Light Efficient Design • 30 Log Bridge Road, Building 200 • Middleton, MA 01949 • 877.997.3674 • remphos.com

11.28.18 Information is subject to change without notice.